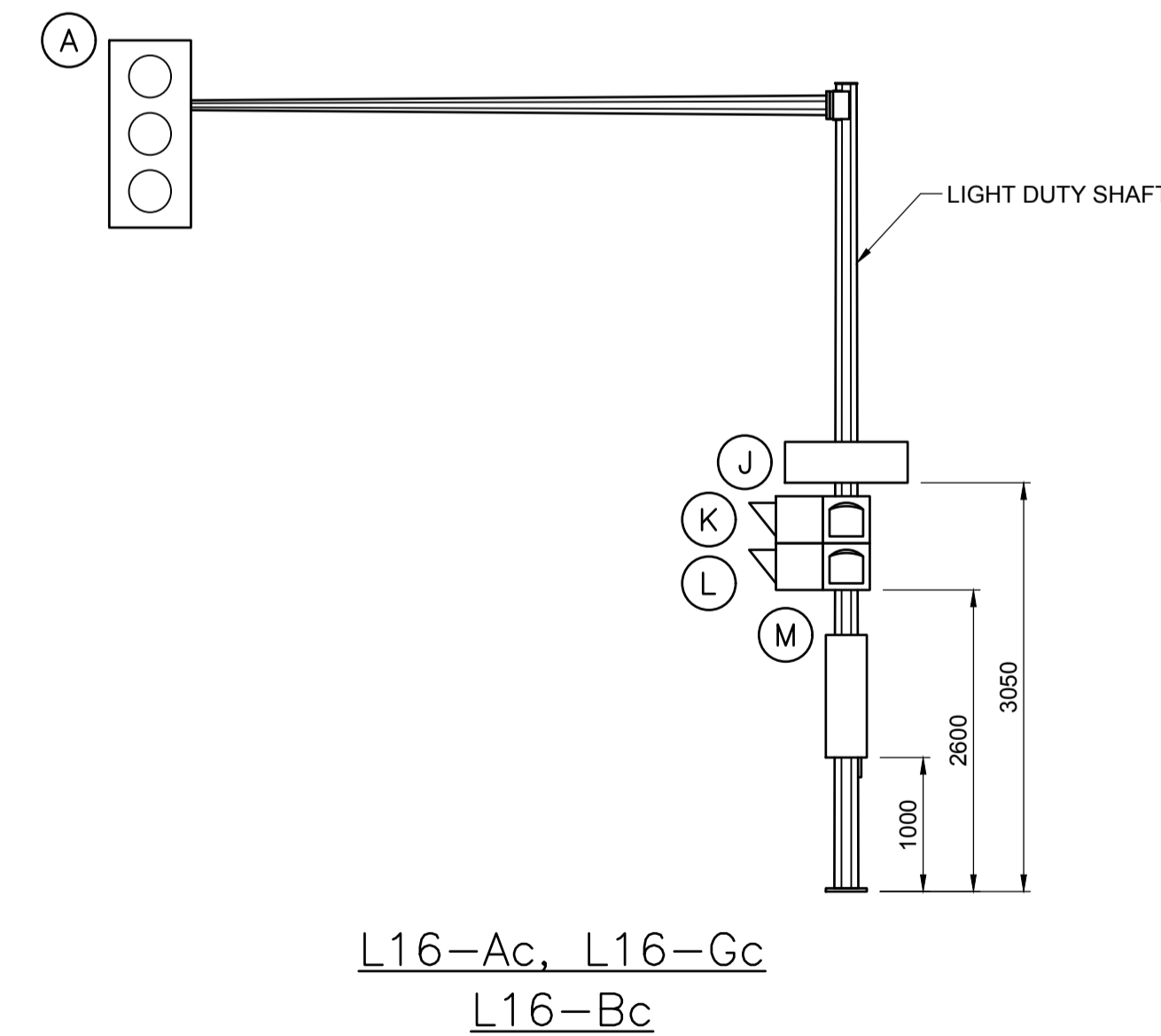
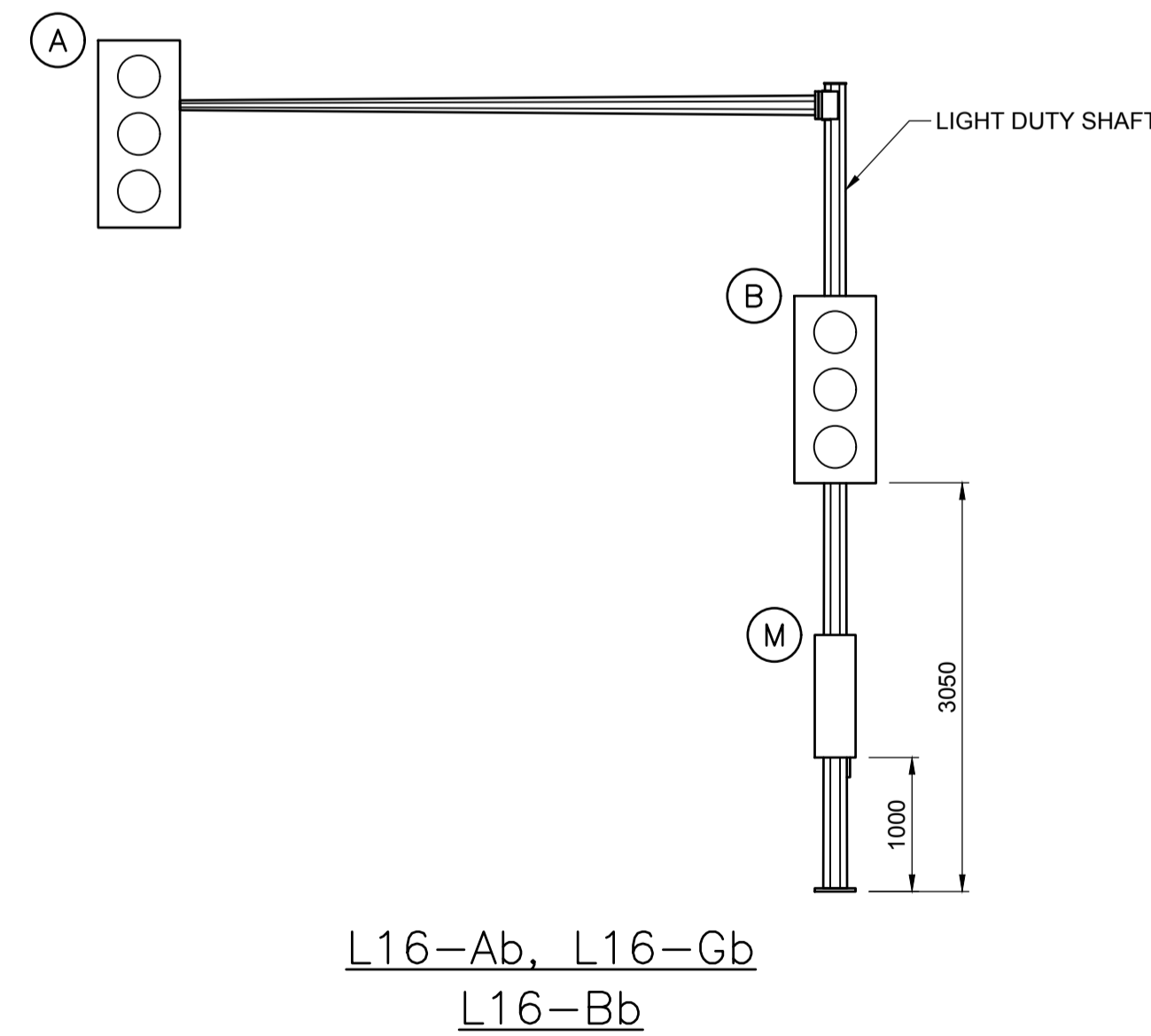
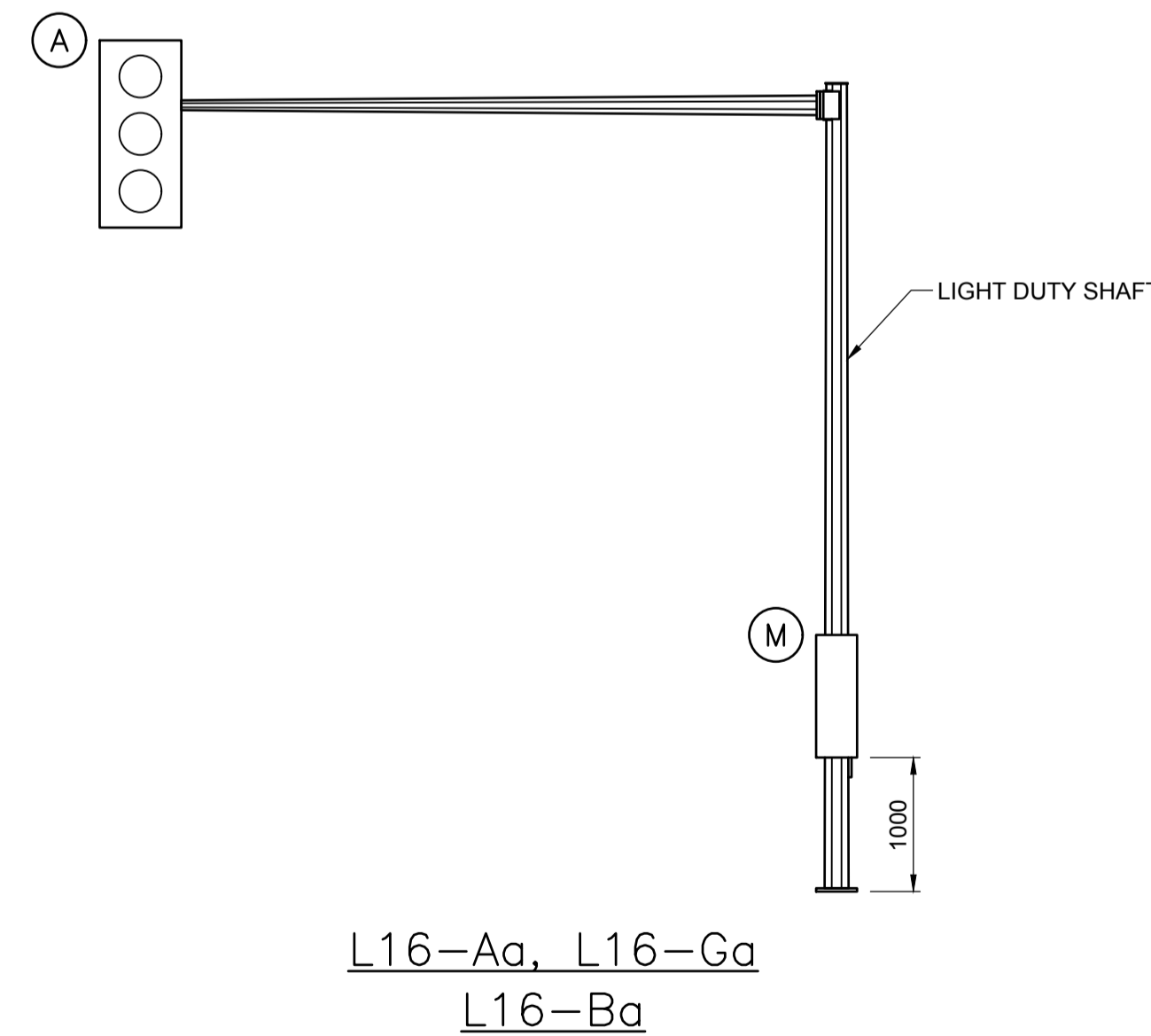
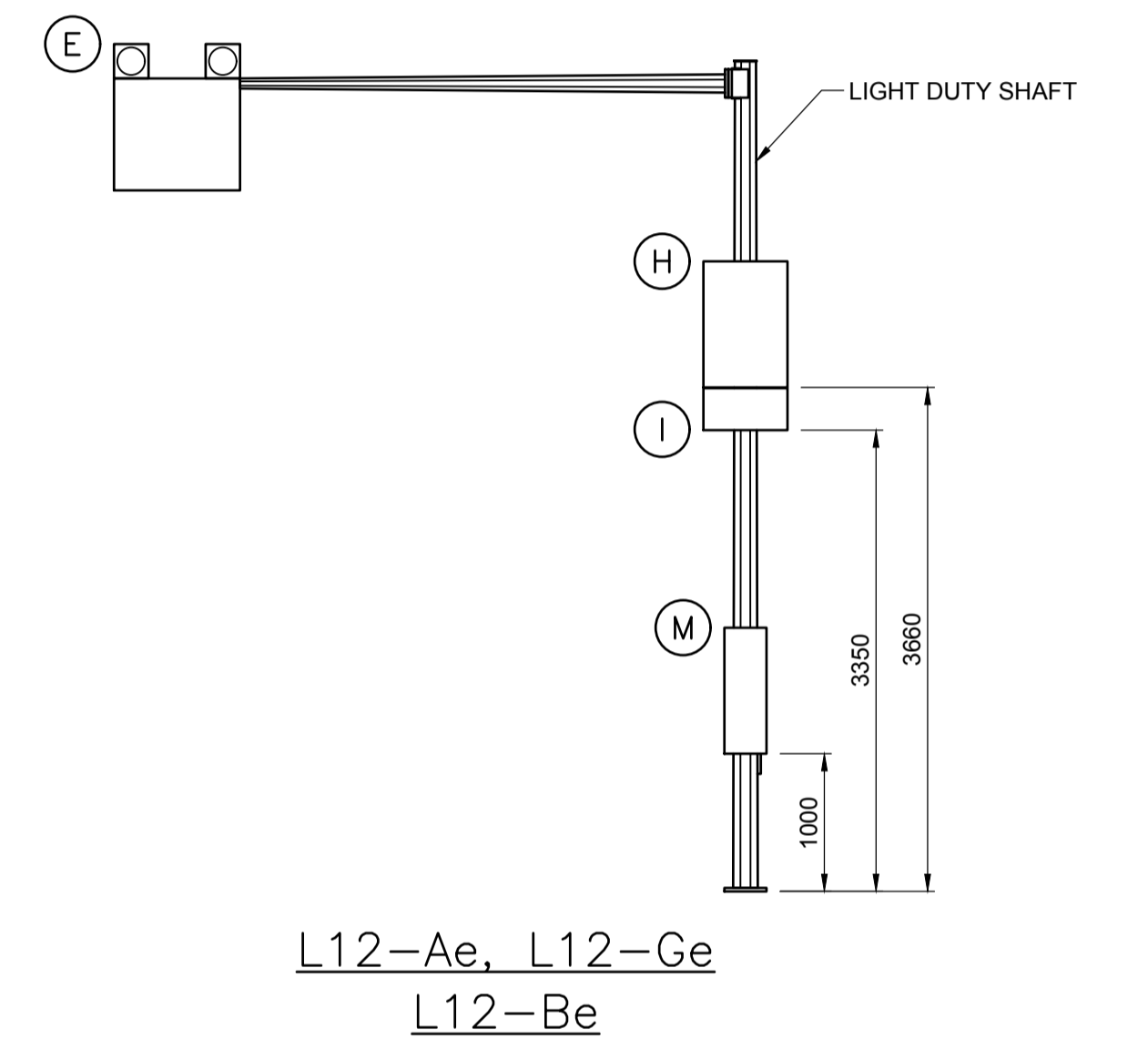
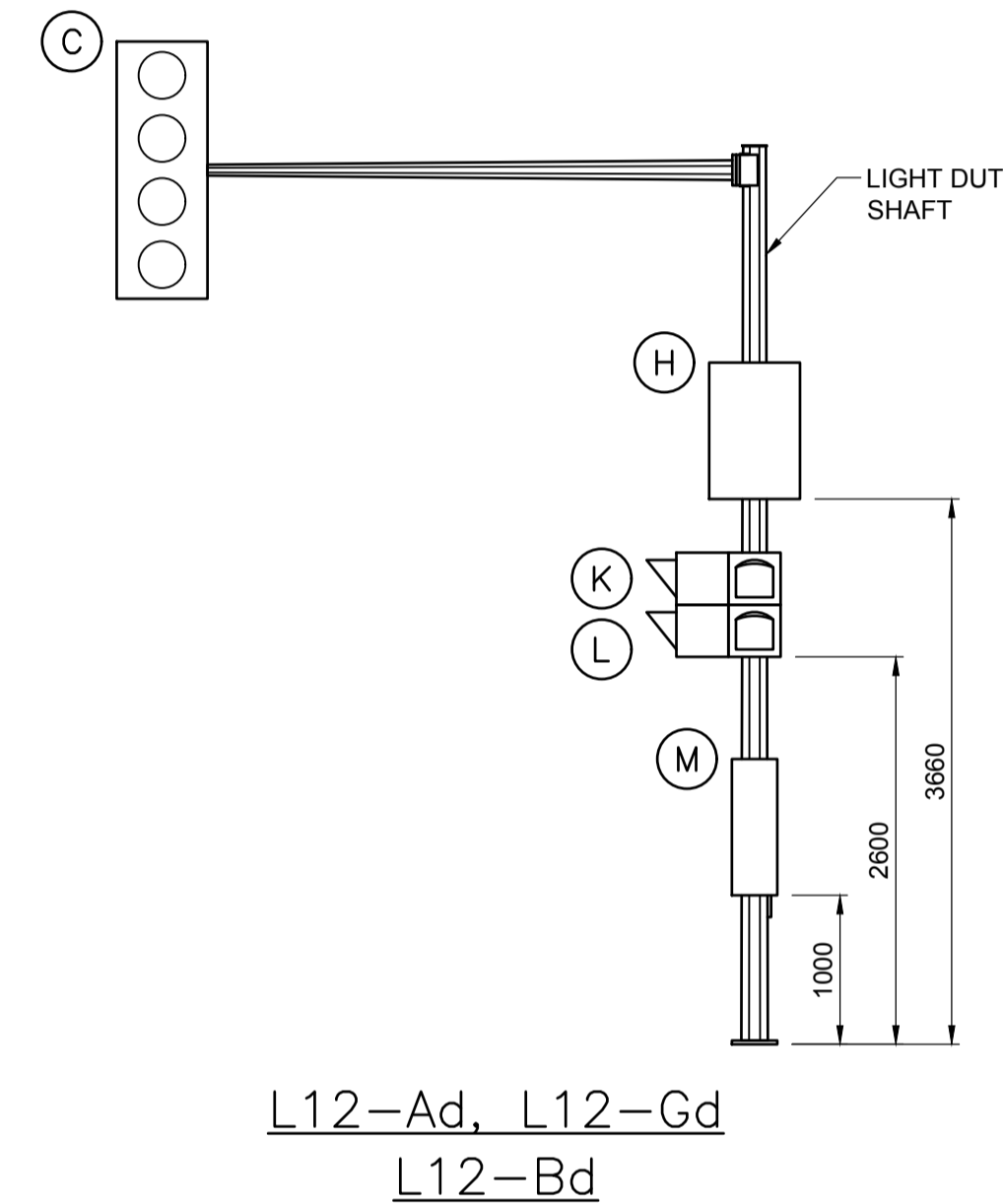
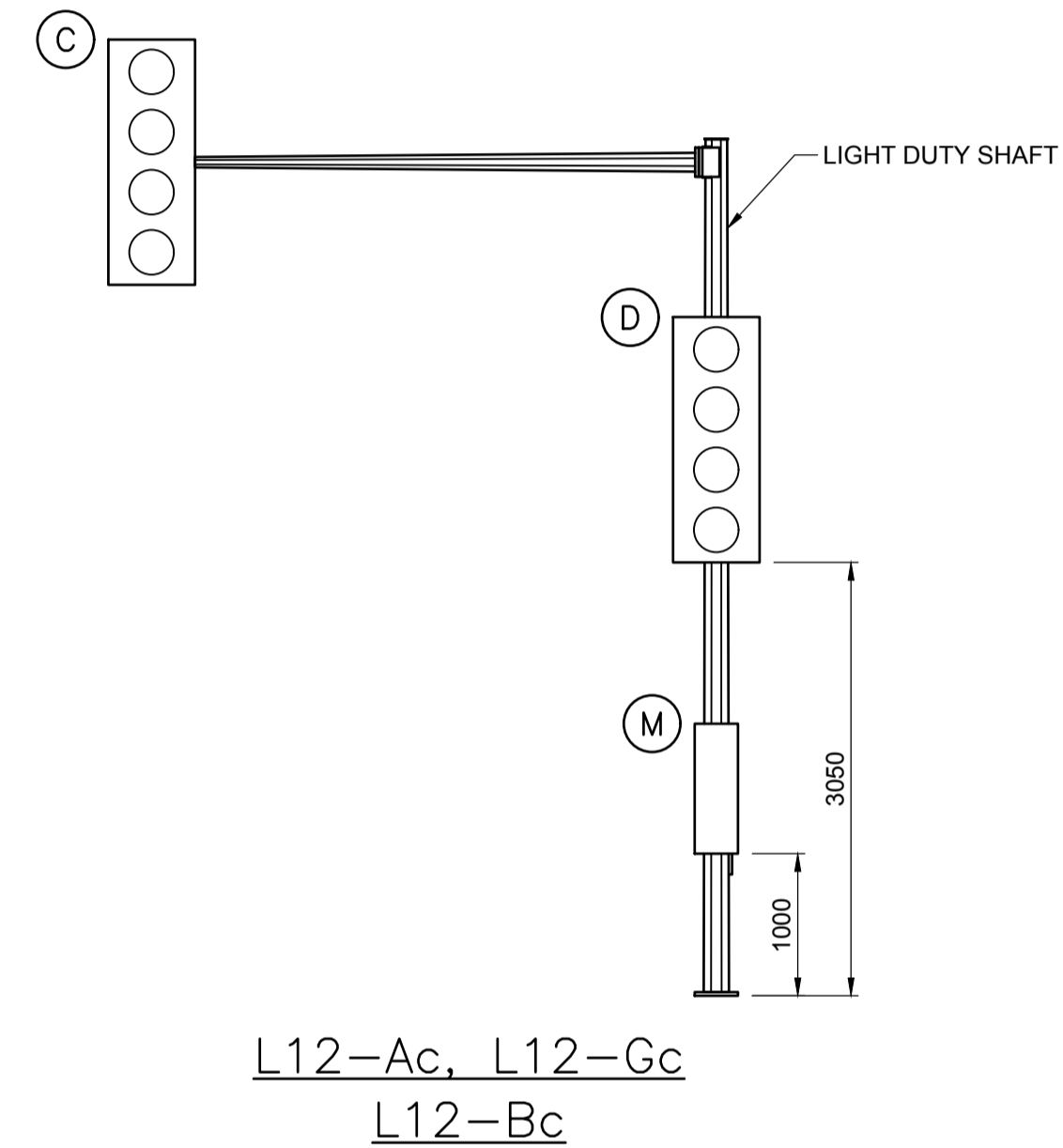
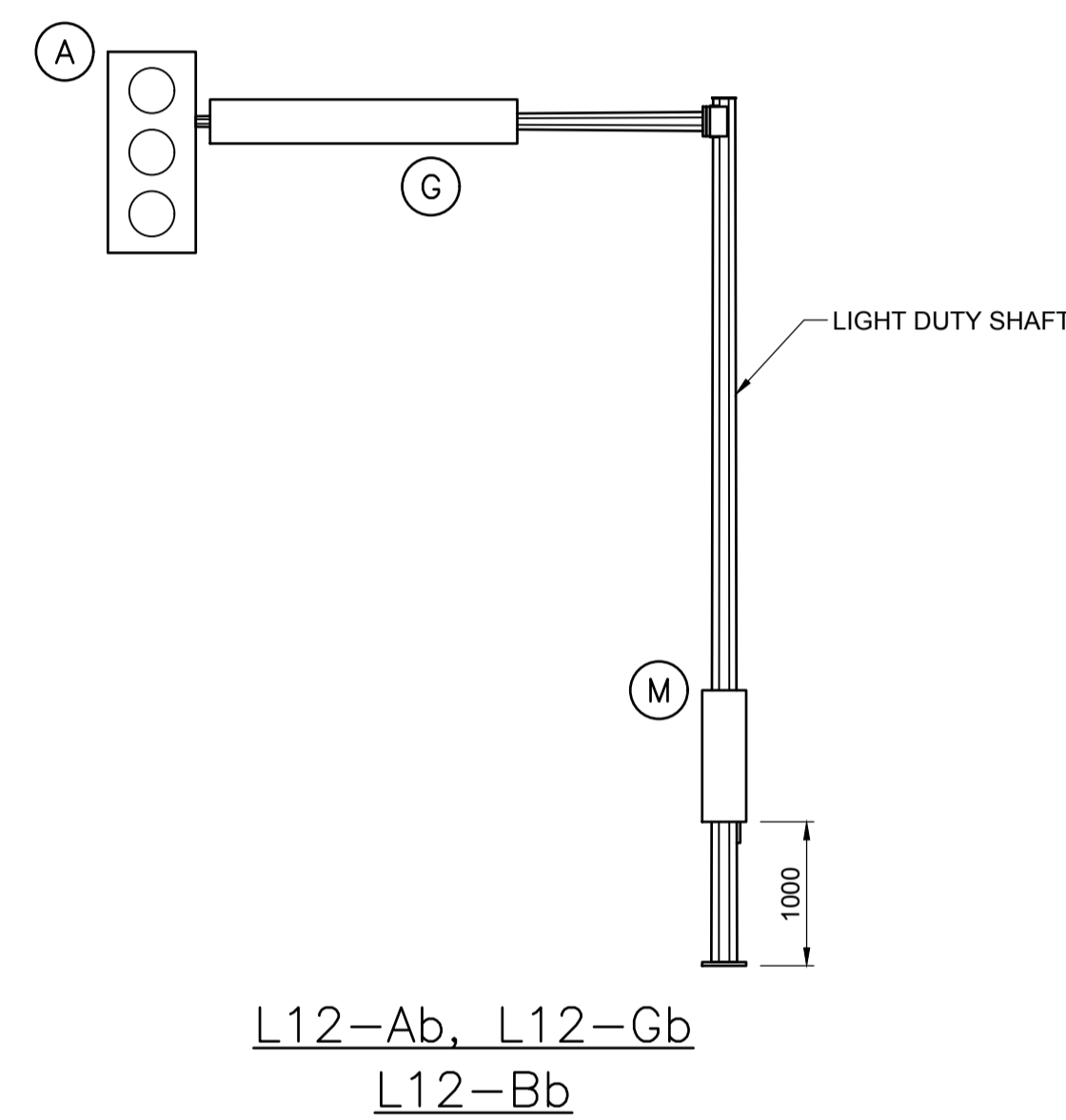
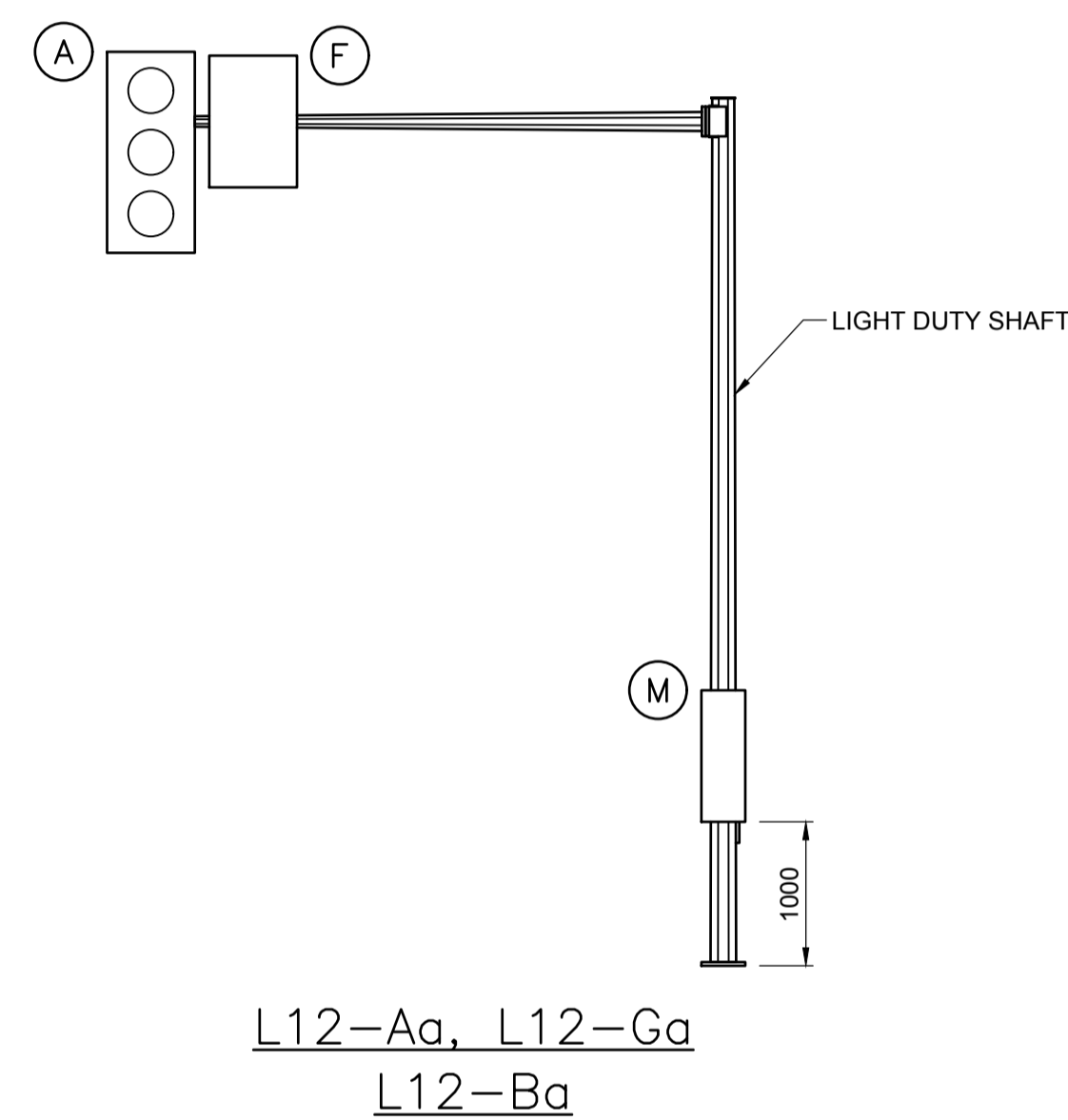
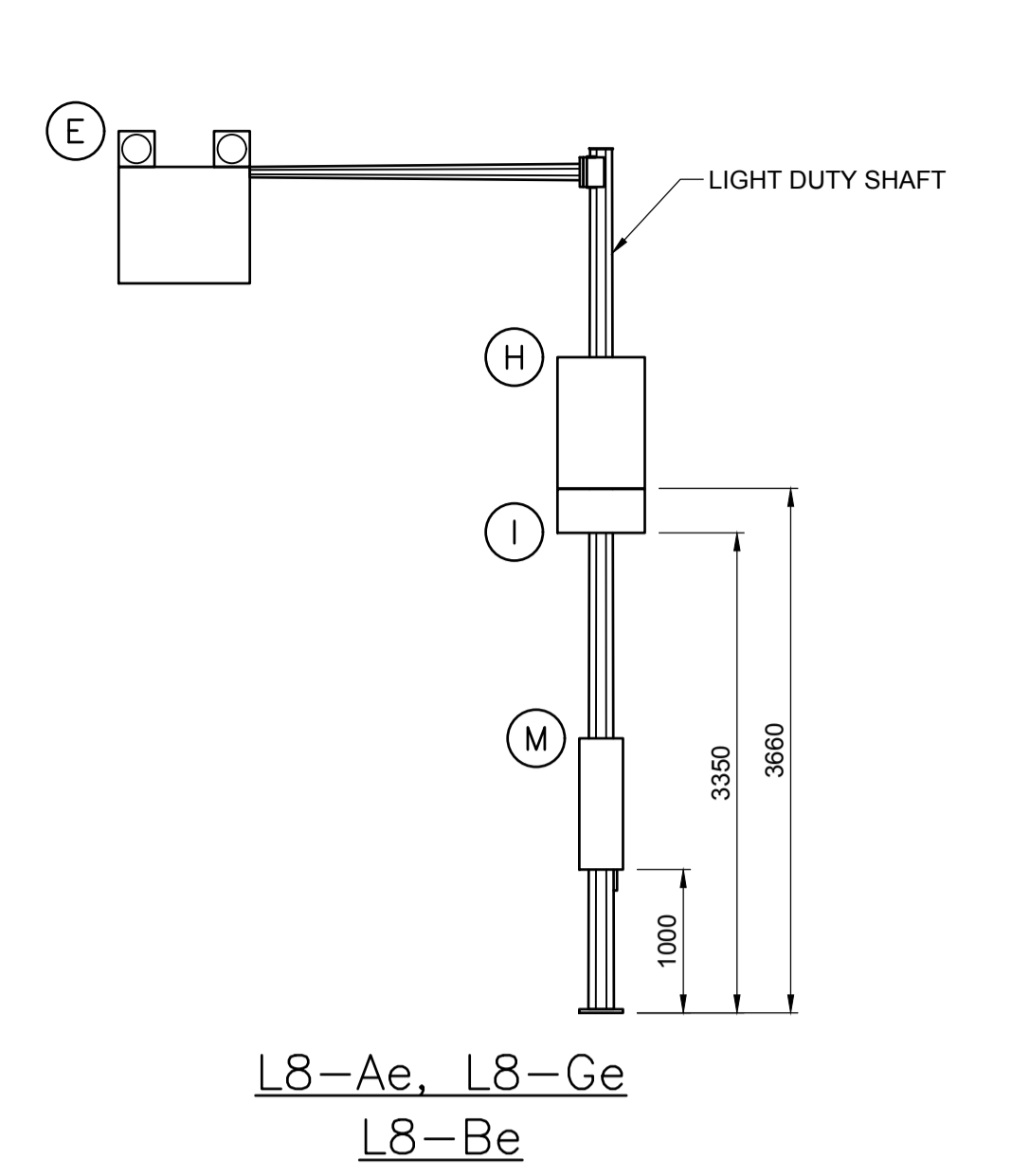
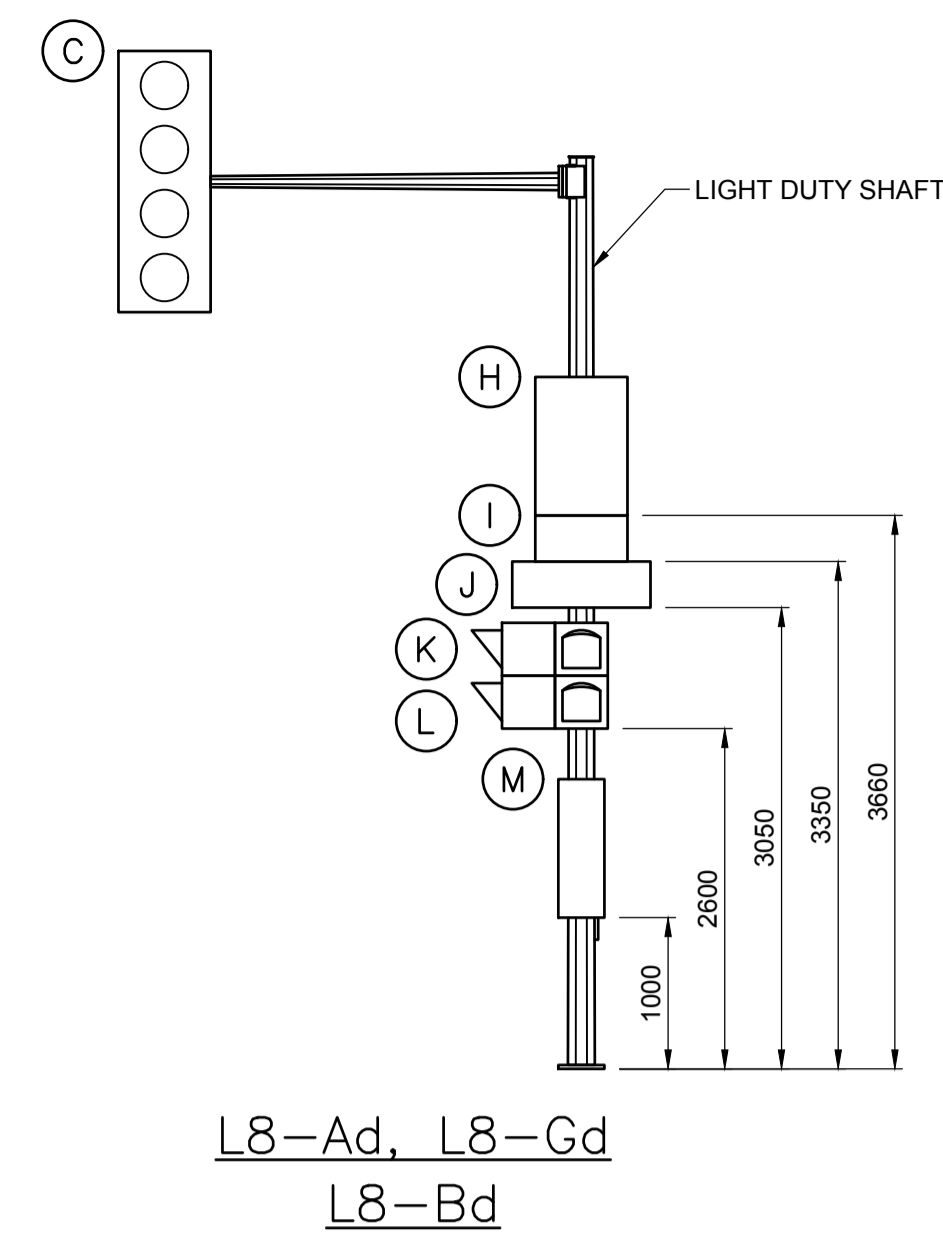
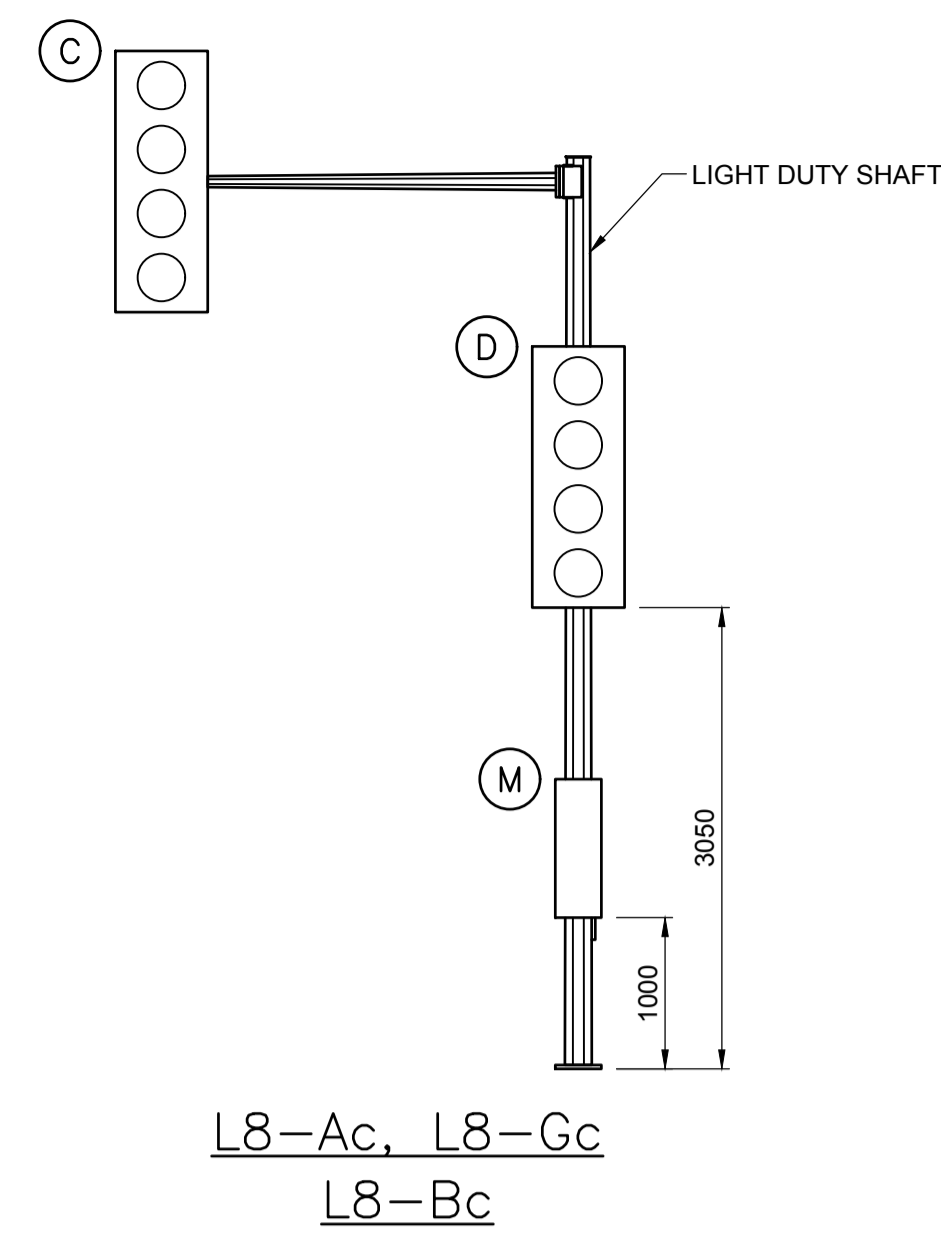
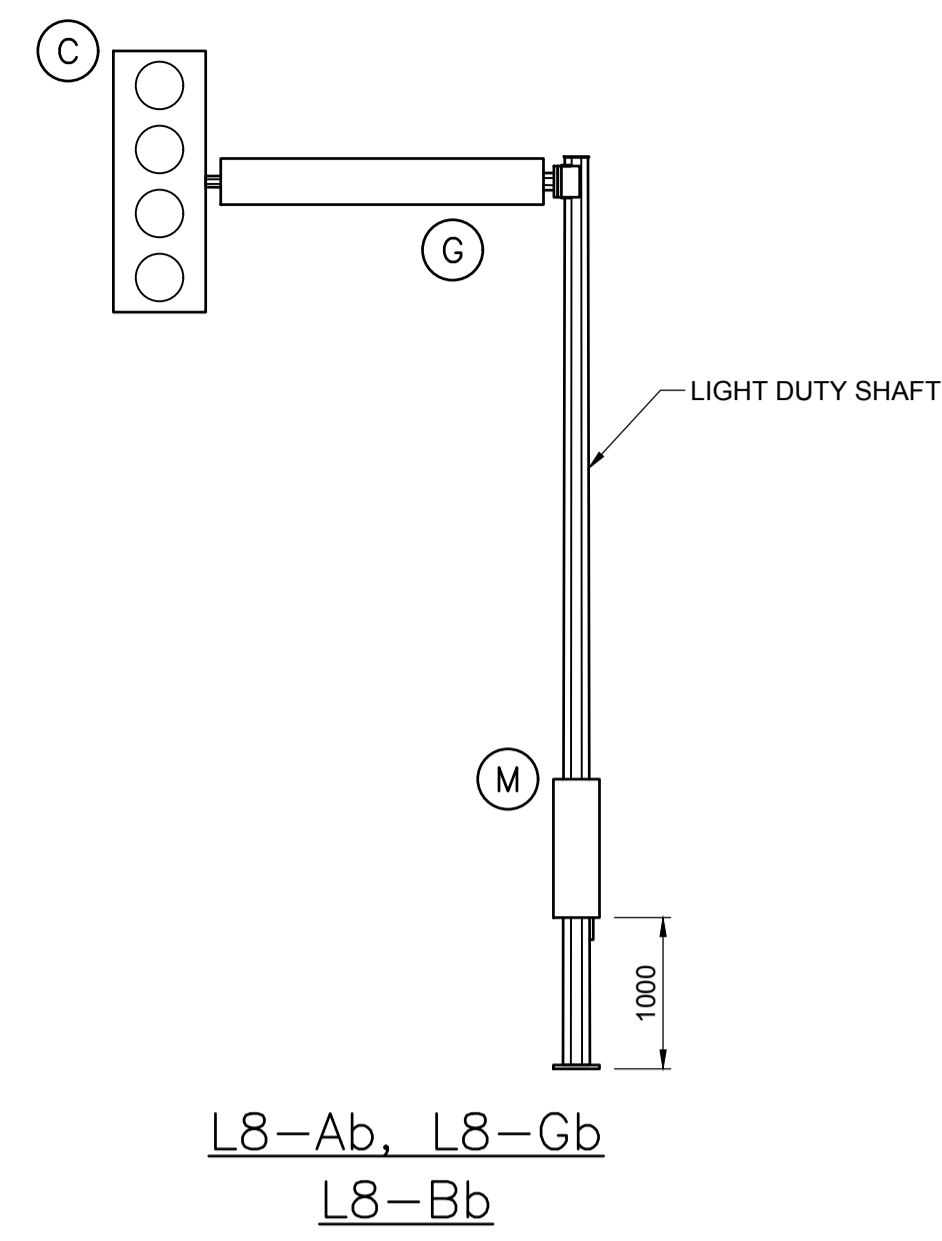
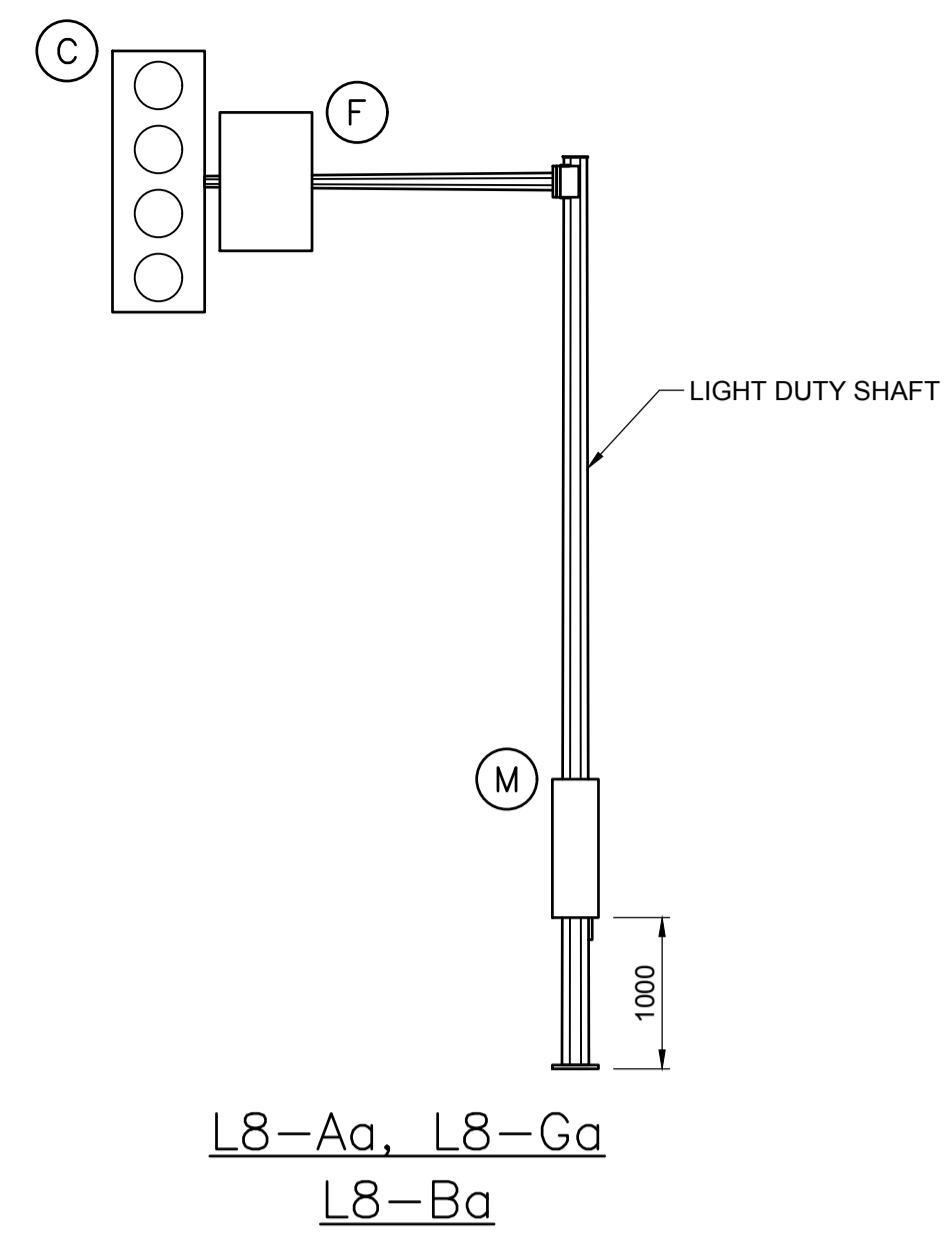
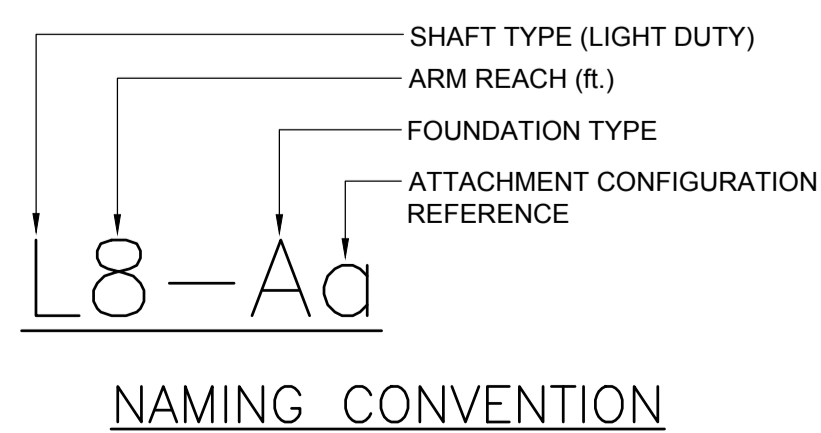


V:\Traffic_Signals\7_Planets\Projects\Coordination\Products\Specification\Drawings\New folder\S-SD-04_Light Duty Structures 8', 12' & 16' Arms.dwg



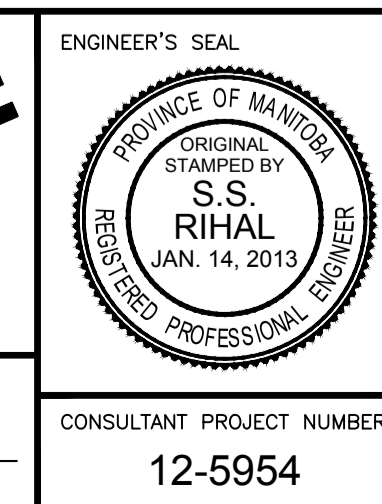
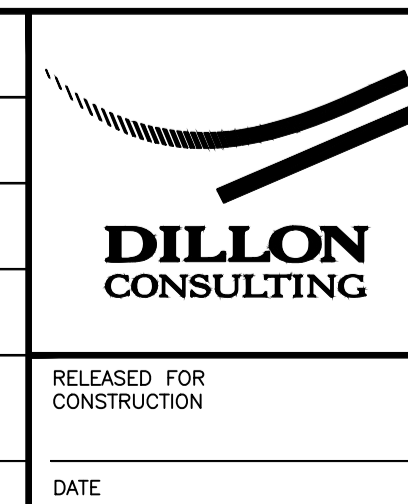
- NOTE:**
- ALL CONFIGURATIONS TO BE INSTALLED ON TYPE A-T, G-T OR TYPE B-T BREAKAWAY BASE.
 - REFER TO SHEET 2 FOR ATTACHMENT DATA.
 - LOAD CONFIGURATIONS SHOWING ARM REACH TO THE LEFT, REACH TO THE RIGHT ALSO PERMITTED.



REDUCED DRAWING
N.T.S.

NO.	REVISIONS	DATE	BY	DATE
2	REVISED BY DILLON CONSULTING	1/10/14	CDW	
1	ISSUED BY DILLON CONSULTING	1/14/13	CDW	

B.M. ELEV.	DESIGNED BY	CDW
	DRAWN BY	JGW
	CHECKED BY	SSR
	APPROVED BY	-
	HOR. SCALE	NTS
	VERTICAL	NTS



THE CITY OF WINNIPEG
PUBLIC WORKS DEPARTMENT

ATTACHMENT CONFIGURATIONS FOR LIGHT DUTY STRUCTURES - 8', 12' & 16' ARMS

CITY DRAWING NUMBER: S-SD-04
SHEET 4 OF 17
CONSULTANT DRAWING NUMBER: N/A